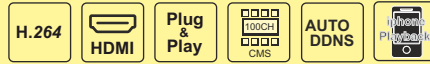
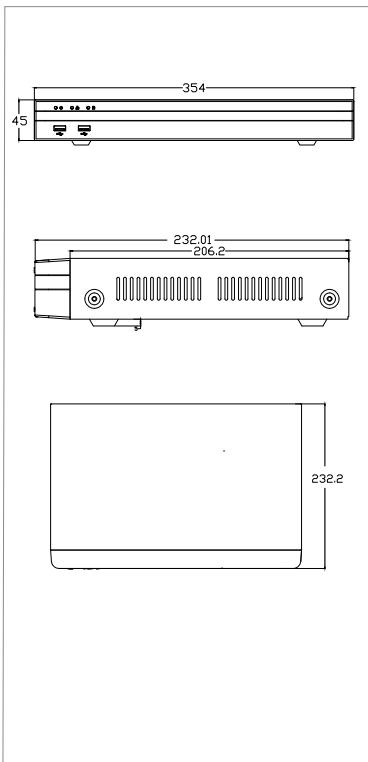


Network H.264 Video Recorder

SV-NVR16HD



Dimension Unit : mm



- ONVIF 2.4
- Plug & Play supported.
- Multi stream supported.
- Mobile Remote (iPhone/ iPad/ Android)
- USB or remote firmware upgrade supported.
- Intensive security function by authority.
- Directly AVI format backup.
- IE 8, Firefox and Chrome browser
- Safari browser supported on MAC OS.
- Network online user management.

Specifications

Type	SV-NVR16HD	
Operation System	Embedded Linux	
Compression Method	H.264	
Video Output	VGA	1 (Max : 1920 x 1080)
	HDMI	1 (1920 x 1080)
IPC Input	16 CH x 1080P / 960P / 720 P	
Preview Resolution	16 x D1 / 1 x 1080P (Single Channel Main Stream)	
Recording Resolution	16 CH x 1080P / 960P / 720 P	
Recording Mode	Auto / Manual / Schedule / Motion	
Playback Mode	Date & Time search / Event Search / Seek Bar (4.CH)	
Multi-task	Live / Record / Play / Network / Backup	
Backup	USB 2.0 / Network Remote Backup	
Storage	SATA x 2	
HDD Record Mode	Full Stop / Overwrite	
PTZ Control	PELCO-P, PELCO-D	
Mobile Surveillance	iPhone / iPad / Android	
Mouse	Standard	
Ethernet	RJ 45 x 1 (10/100 M Base-T)	
Network Connection	TCP/IP, PPPoE, DHCP, DDNS	
Client Application	Display / Playback / Backup / PTZ Control	
Power Source	NVR: DC12V / 5A	
Operating Temperature	5°C~40 °C (41°F~104°F)	
Operating Humidity	Less than 90%	
Dimension	354(W) x 45(H) x 232(D)mm	